



Energy Cross Trainer TGO862

A world first! Outdoor gym equipment that generates human powered electricity. Upgrade to a piece of Cardio Charge equipment and charge your mobile phone or tablet whilst exercising. WOW!

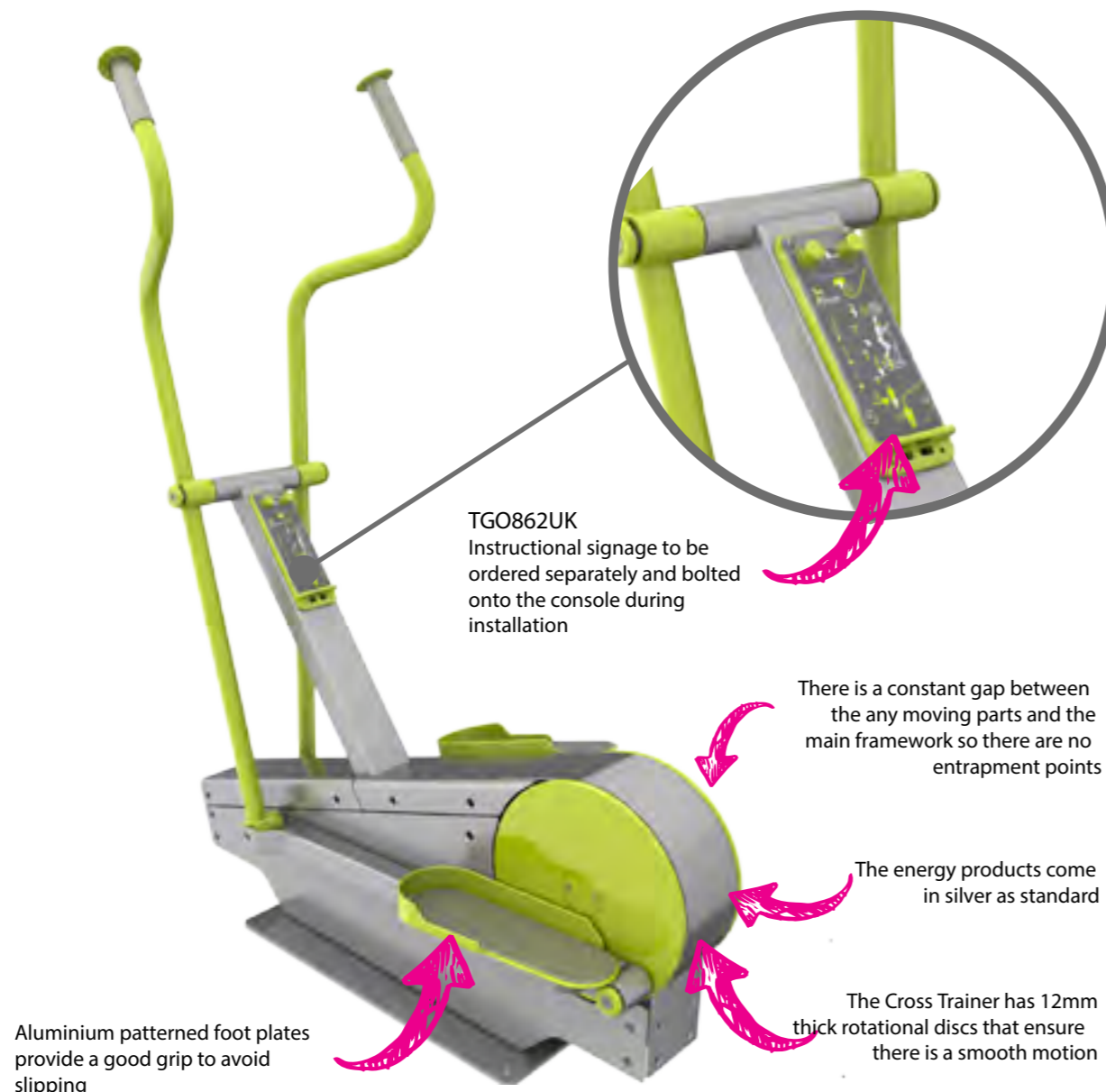
On this stylish Energy Cross Trainer, the user will feel like they are in an indoor gym but outside. It is designed to give a cardiovascular workout, as well as helping to improve muscle tone in the legs and arms. With top quality bearings and sliding mechanisms the TGO Energy Cross Trainer is smooth, safe and easy to use.

Specification

- 100% Made in Britain
- Certified to EN16630, (legacy standards, BSI PAS888 - safety compliant for ALL ages, users and non-users & DIN79000 - safety compliant for users, aged 14+). All TGO outdoor gym equipment is free from exposed end stops, entrapments, sharp edges and crush points

ALWAYS ASK FOR EN16630 FOR OUTDOOR GYMS

- Unique TGO Green Energy technology
- Low voltage
- 2x USB Ports
- Interactive power display on console
- No need for mains / any external power supply
- Weather proof
- Mobile phone charging console with USB charger and watt meter
- Great instructional signage- workout QR code videos, start and finish diagrams.
- Free at the point of use
- Resistance-based equipment - no electricity required
- Low maintenance
- Designs include key elements of Inclusive Fitness Initiative guidelines
- TGO plant a tree in the NHS Forest for every piece of equipment sold



TGO862UK
Instructional signage to be ordered separately and bolted onto the console during installation

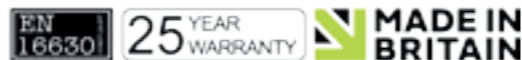
There is a constant gap between the any moving parts and the main framework so there are no entrapment points

The energy products come in silver as standard

The Cross Trainer has 12mm thick rotational discs that ensure there is a smooth motion

Aluminium patterned foot plates provide a good grip to avoid slipping

Guarantees
25 years steel work
2 years bearings
5 years paint



Energy Cross Trainer TGO862

Production Details
Manufacturer Standard: EN16630 (legacy standards - PAS888, Din79000)
Framework: Mild Steel Grade S275 (min 3mm thick)
Finish: High quality gloss finish polyester powder coat paint
Console: Aluminium and high quality reverse printed PETG signage

Coastal
A coastal upgrade is available for this product. The coastal specification includes:
- Upgrading all exposed steel to 316 stainless steel
- Upgrading all bearings to stainless steel
- E coat primer prior to polyester powder coat paint
- Coastal upgrade on fixings

Installation
This product is installed onto a generic TGO Large Ground Anchor. Please see the 'TGOGC Installation & Assembly Guidelines' for guidance on installing this anchor. Please refer to the diagram opposite for safety spacing and orientation details.

Safety
This product requires 1.5m of clear space around the equipment (green outline).
- Falling height: 0.36m
- Clear Space: 15.1m²
There is no safer surface requirement and therefore TGO only recommend a minimal surface area (grey outline).

Electrical Specification
USB Output: Twin USB output 5V, 1A (Global industry standard)
Power Output (glow/flow): Max 100W, Avg 40W, Max 30v
Electrical Storage: IP65 Rated

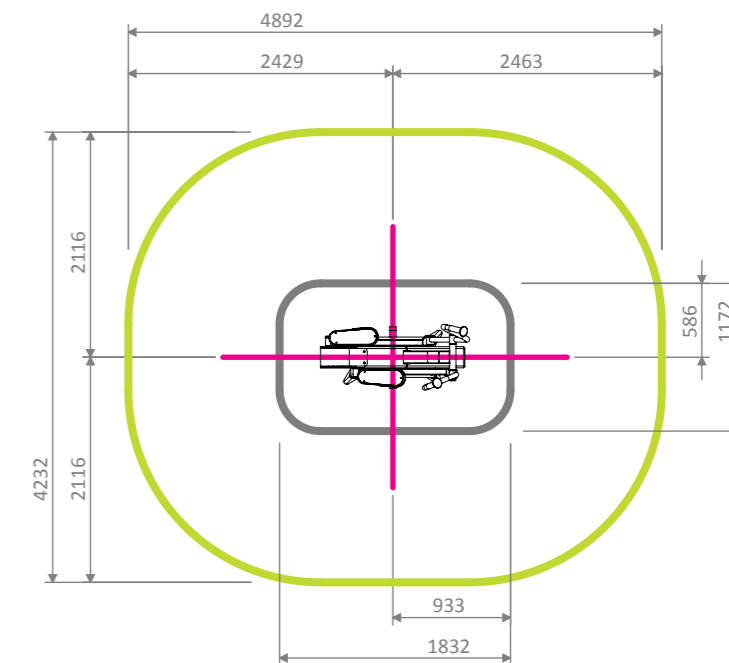
Parts List

No	Part	Dimensions	Weight	Qty
1	Cross Trainer *	L1182, W523, H1610	108 kg	1
2	Large Anchor +	L777, W489, H344	23 kg	1

*Based on the greatest value position

+Substituted with 6x HILTI fixings for surface mounted option

Clear Space Required (25mm tolerance added in each direction) Recommended Surfacing Base Plate & Centre Lines



Ground anchor is separate, makes future upgrades easy!

